

SPINNING TOP WITH LAUCH BASE

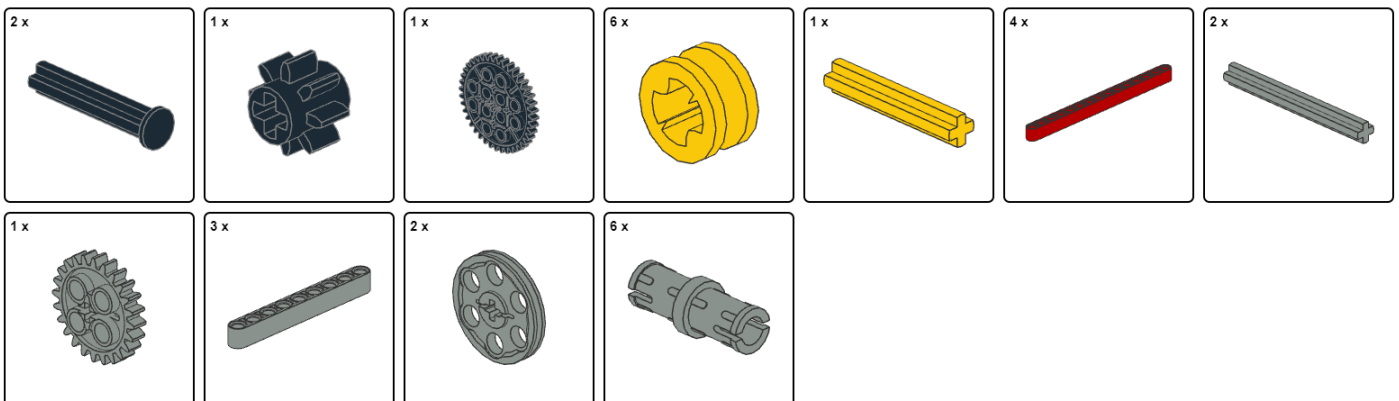
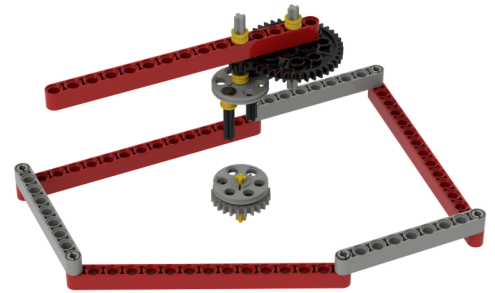


Principles : 

Level : ★

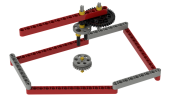
Steps : 6

Bricks : 29

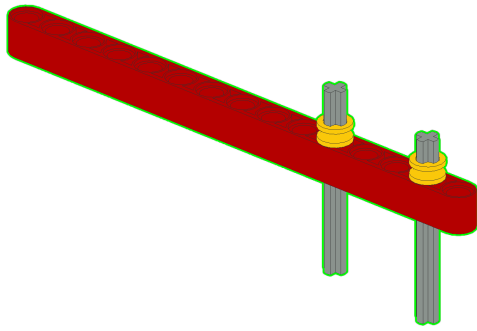
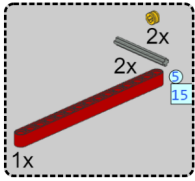




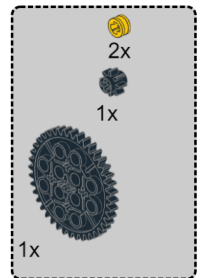
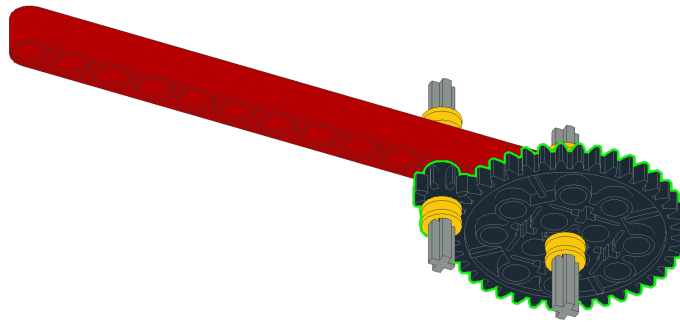
SPINNING TOP WITH LAUCH BASE ★



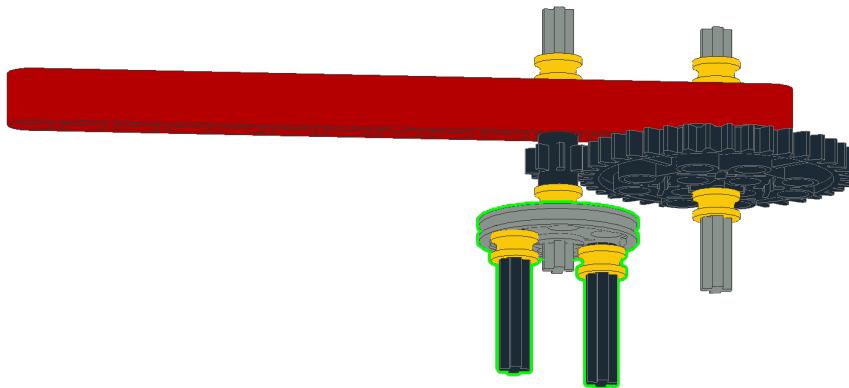
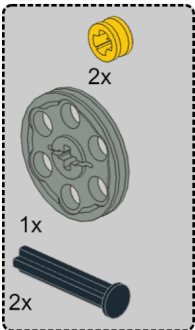
1



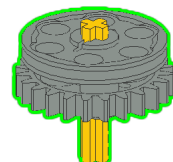
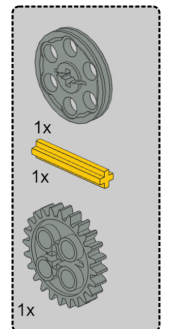
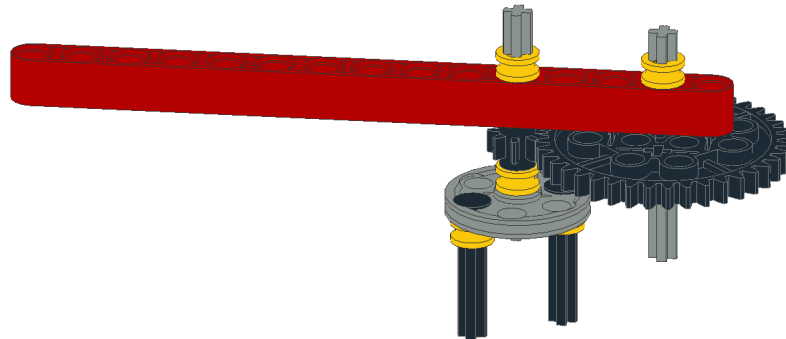
2



3

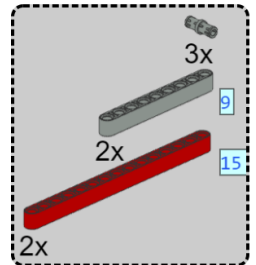
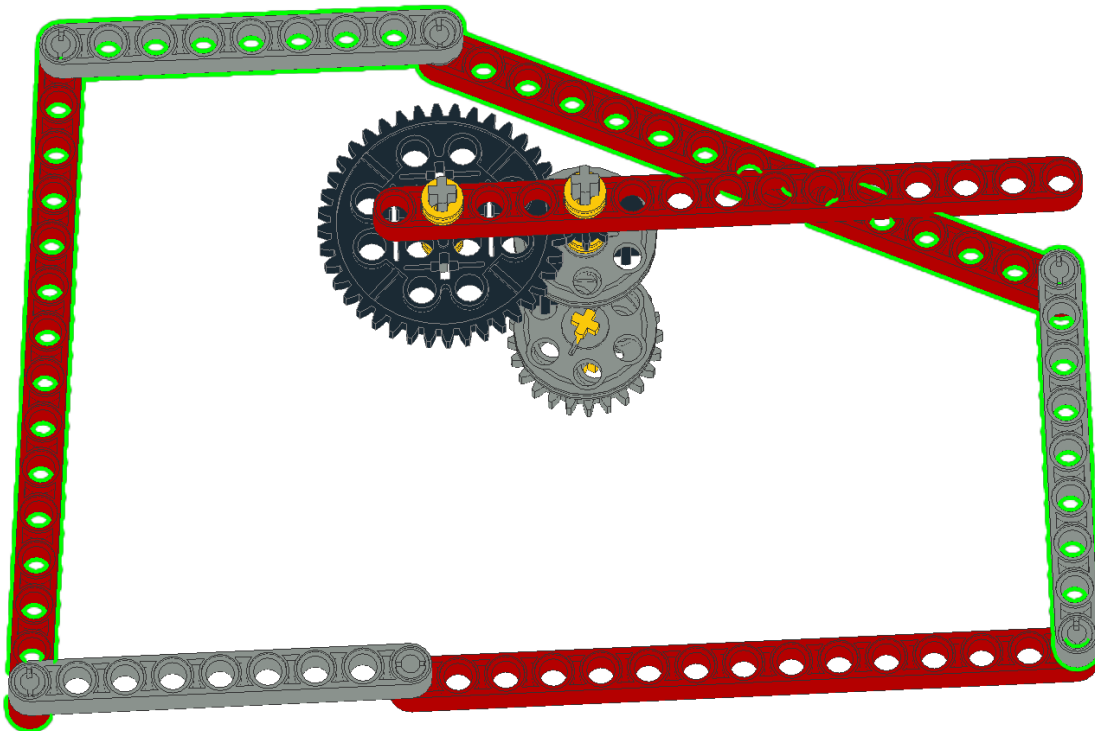
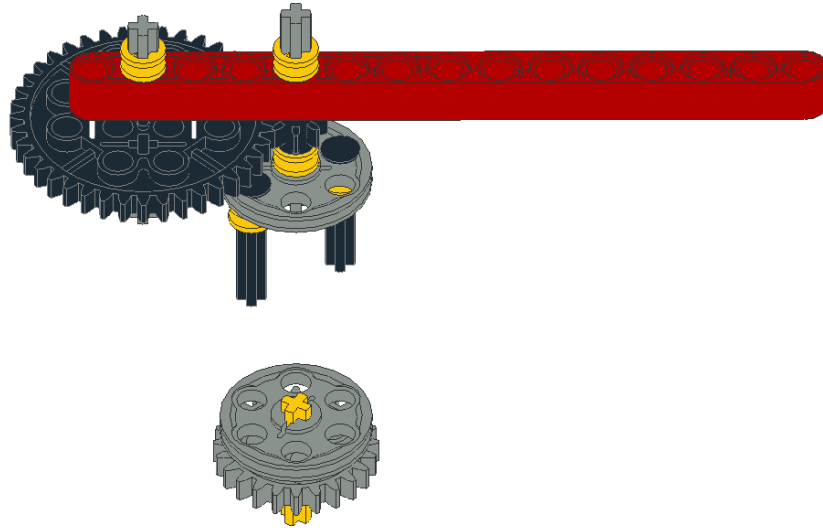
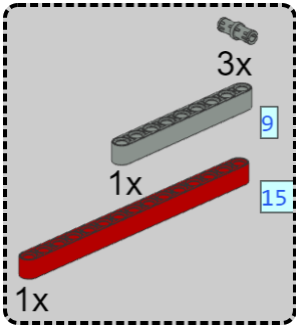


4





5



6