





HELICOPTER WITH TAIL ROTOR AND CORRECT RATIO



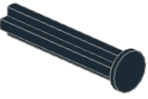
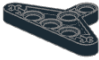







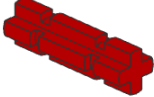



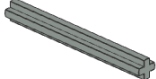

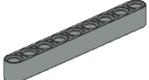

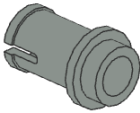
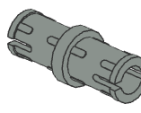
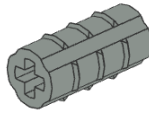
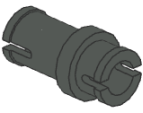
Principles :    

Level : ★★★

Steps : 8

Bricks : 66



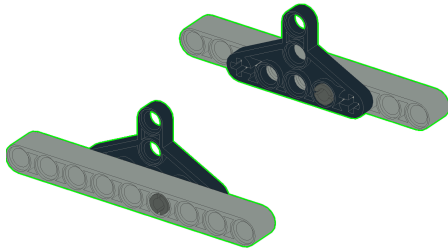
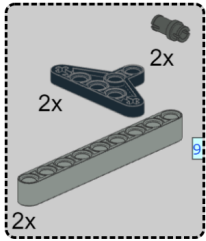
4 x 	2 x 	4 x 	2 x 	1 x 	3 x 	1 x 
22 x 	1 x 	1 x 	4 x 	2 x 	2 x 	5 x 
1 x 	4 x 	1 x 	2 x 	2 x 	1 x 	2 x 



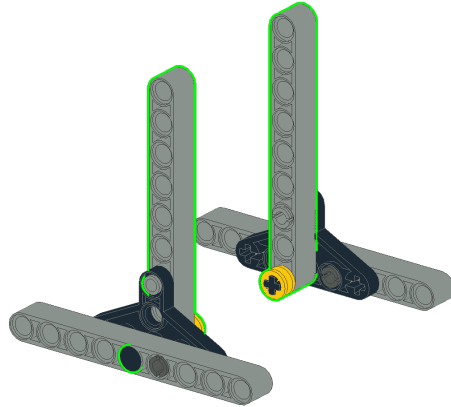
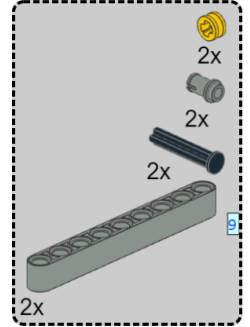
HELICOPTER WITH TAIL ROTOR AND CORRECT RATIO ★★★



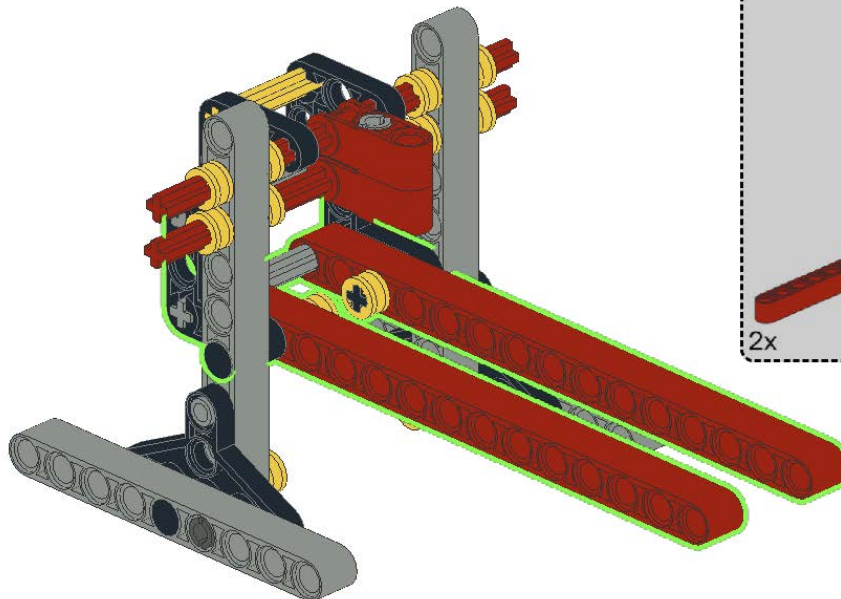
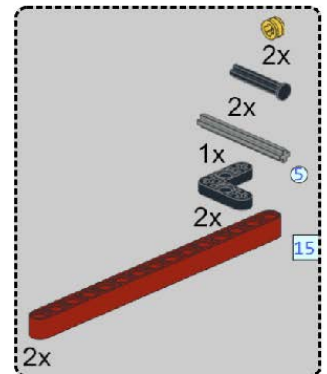
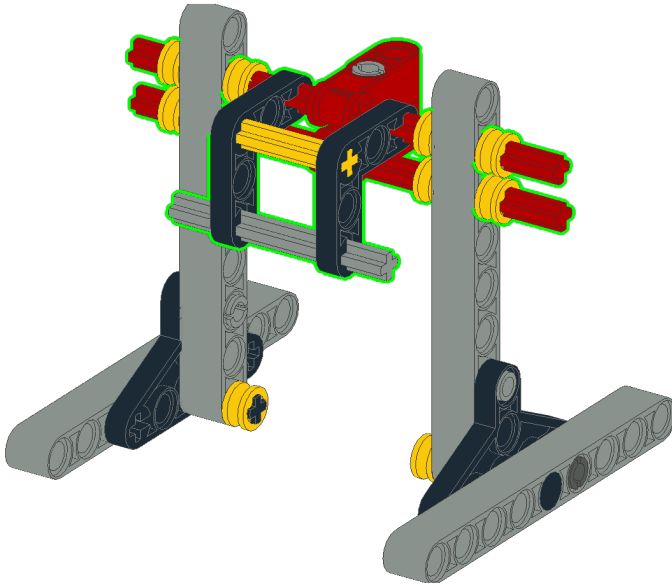
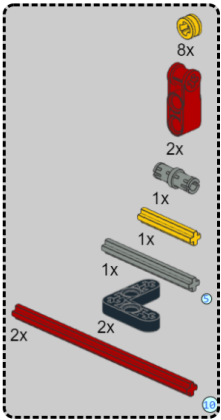
1



2



3

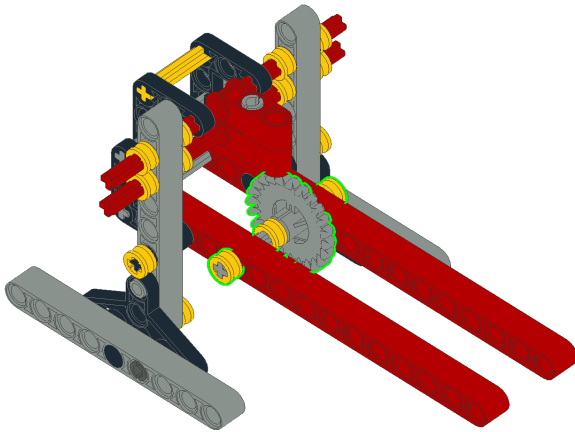
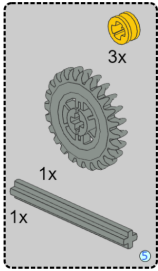




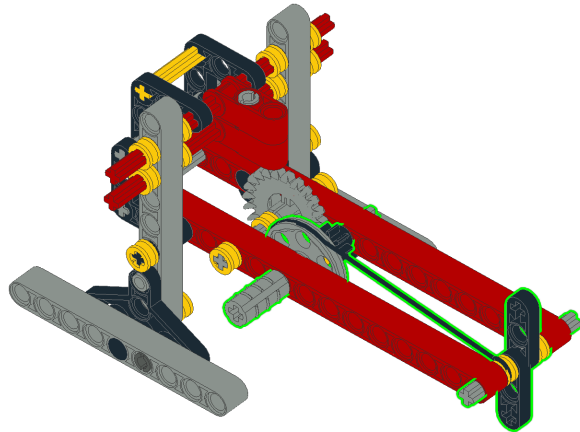
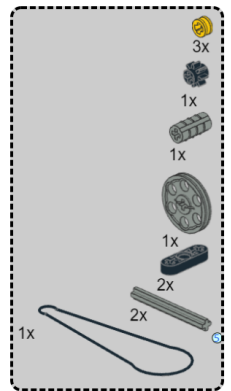
HELICOPTER WITH TAIL ROTOR AND CORRECT RATIO ★★ ★



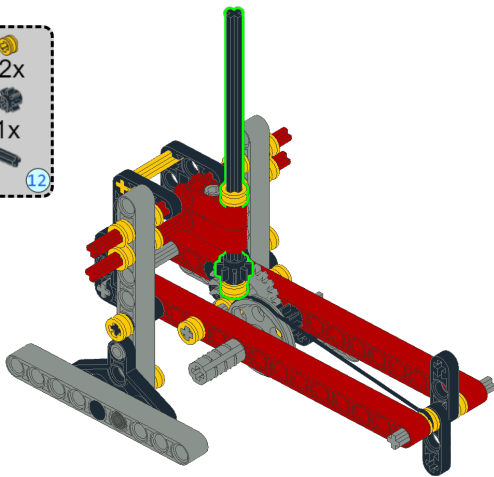
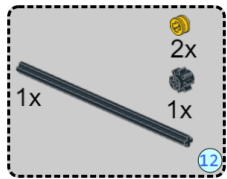
5



6



7



8

