

FLYING OWL



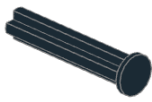





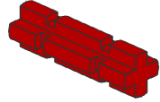




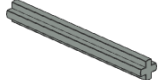
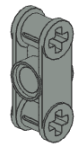
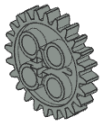

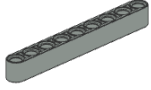

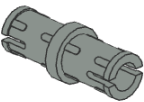
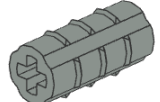
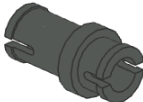
Principles :   

Level : ★★★

Steps : 8

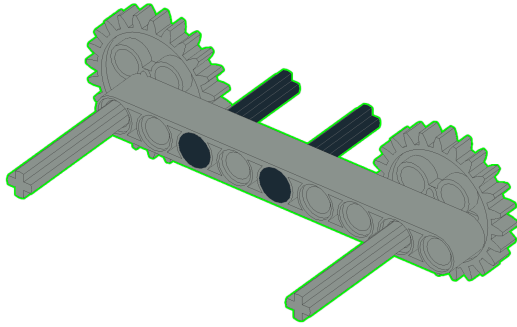
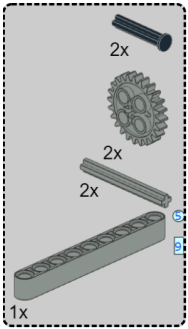
Bricks : 73



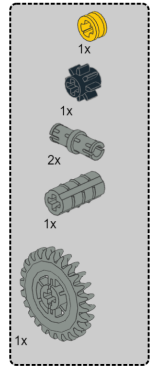
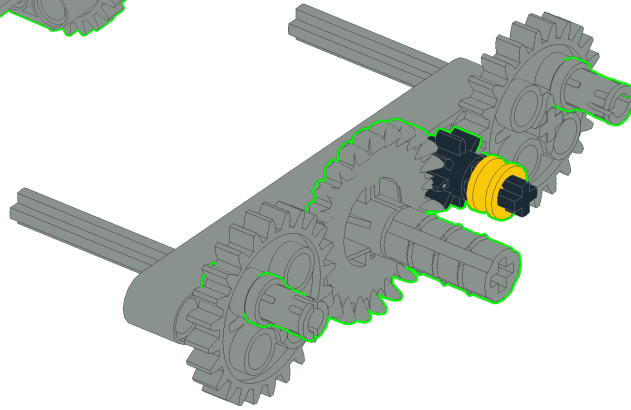
4 x 	4 x 	1 x 	2 x 	21 x 	4 x 	4 x 
4 x 	1 x 	2 x 	2 x 	6 x 	2 x 	2 x 
1 x 	4 x 	2 x 	4 x 	1 x 	2 x 	



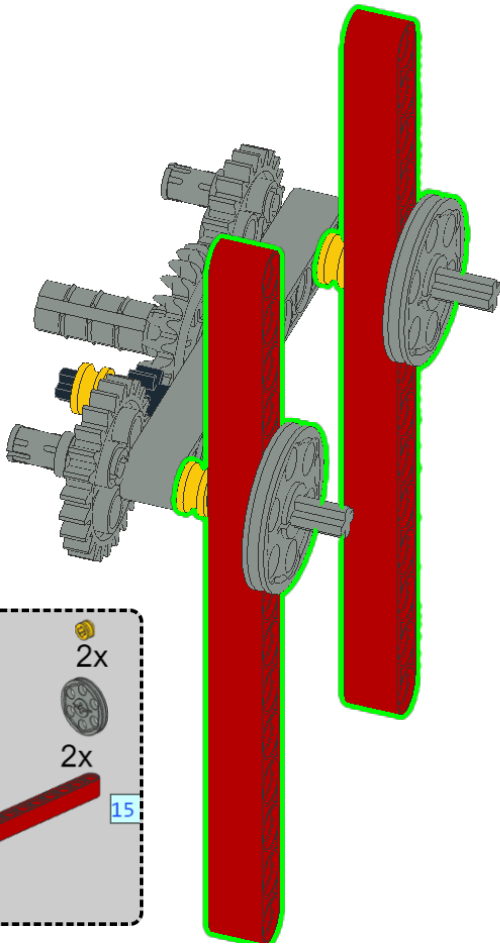
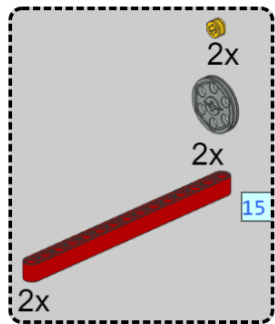
1



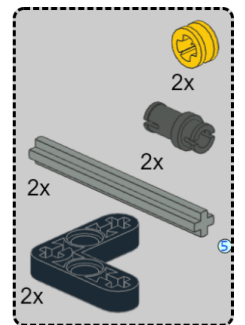
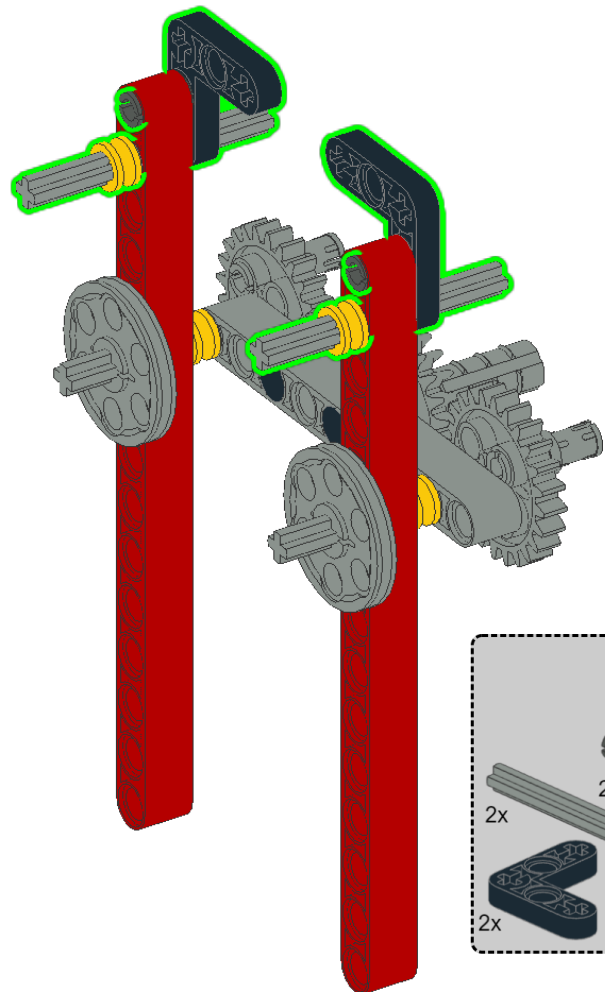
2



3

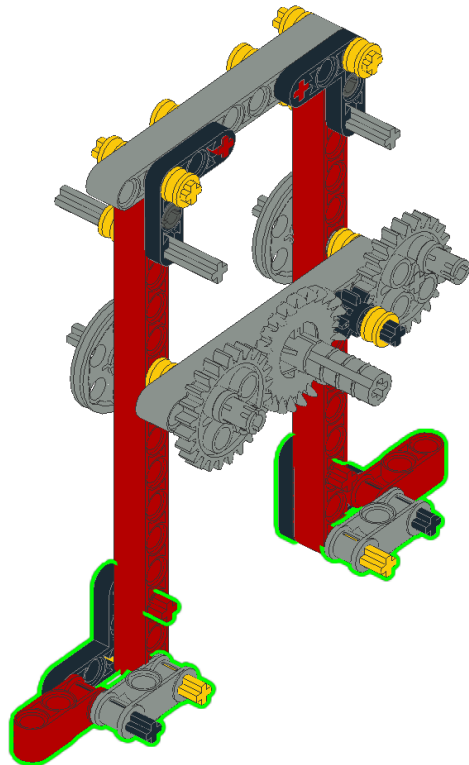
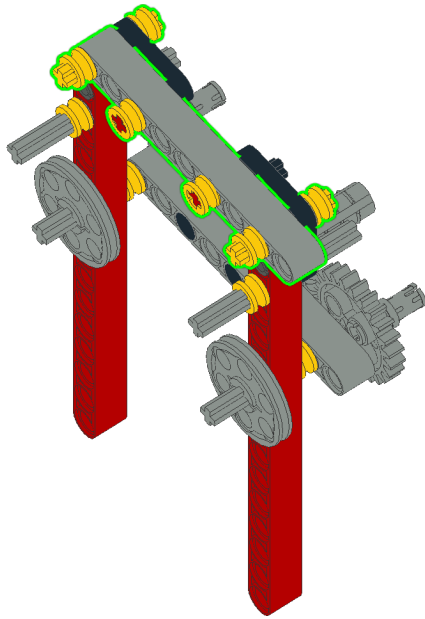
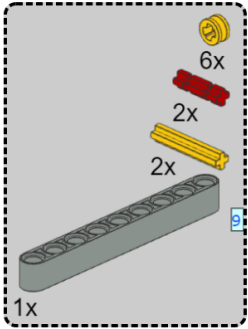


4

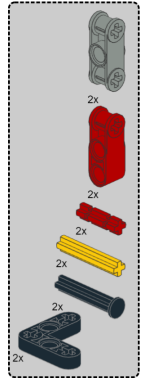




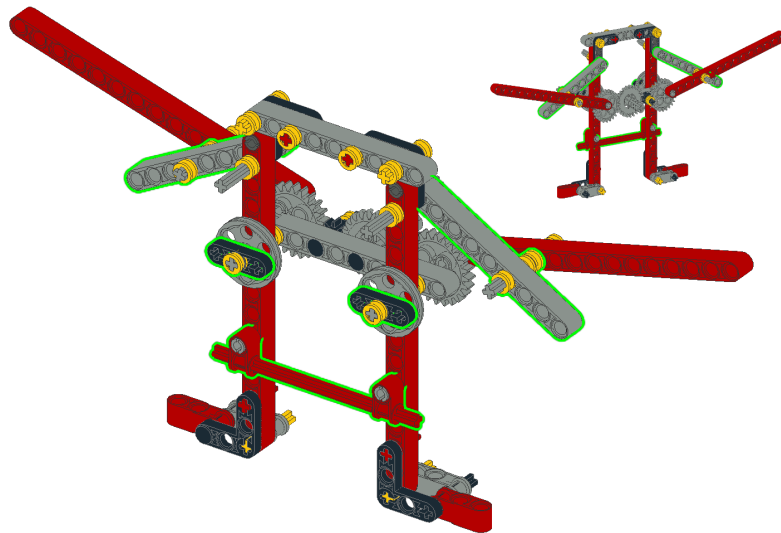
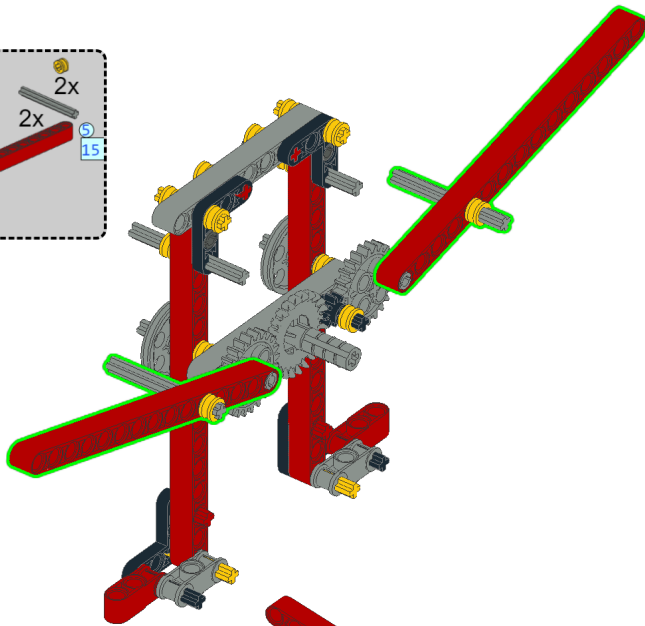
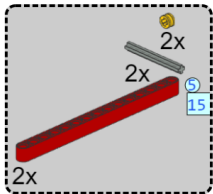
5



6



7



8

