

LETTERS AND WORDS



Level : ★★

Steps : 6

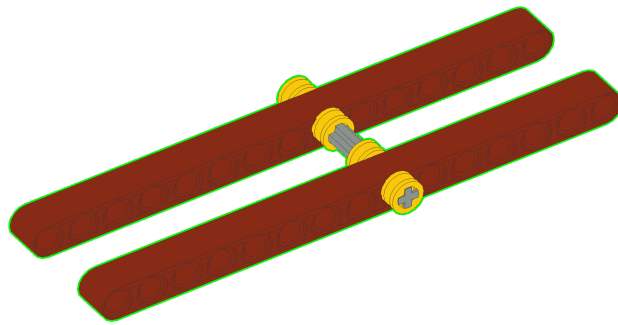
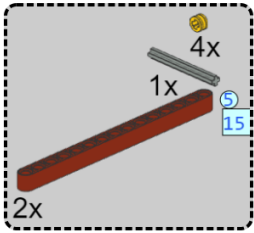
Bricks : 57



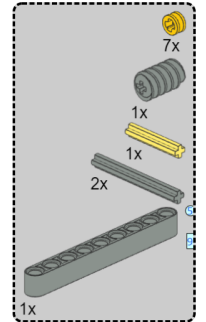
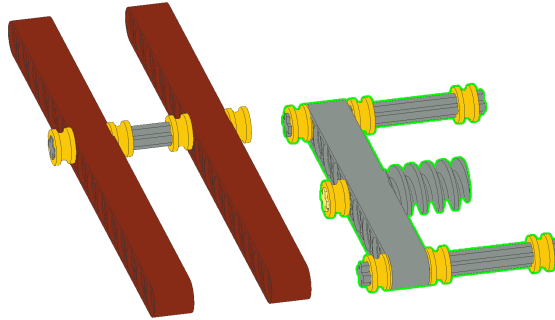
2 x 	1 x 	1 x 	2 x 	2 x 	22 x 	2 x
3 x 	3 x 	1 x 	2 x 	1 x 	3 x 	1 x
1 x 	1 x 	3 x 	2 x 	1 x 	3 x 	



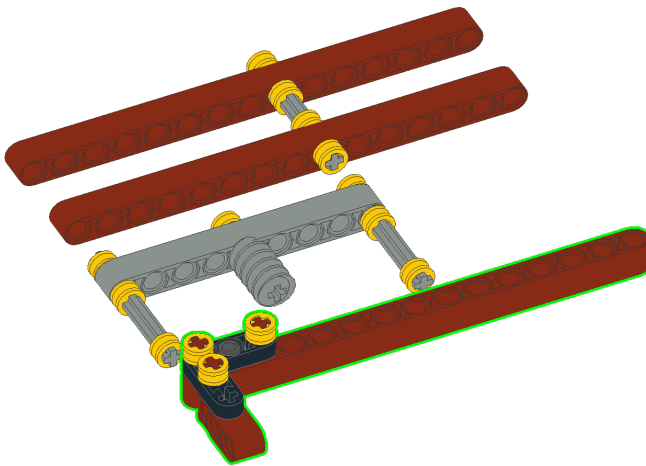
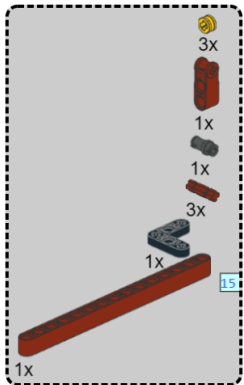
1



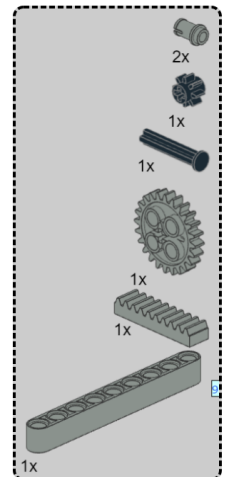
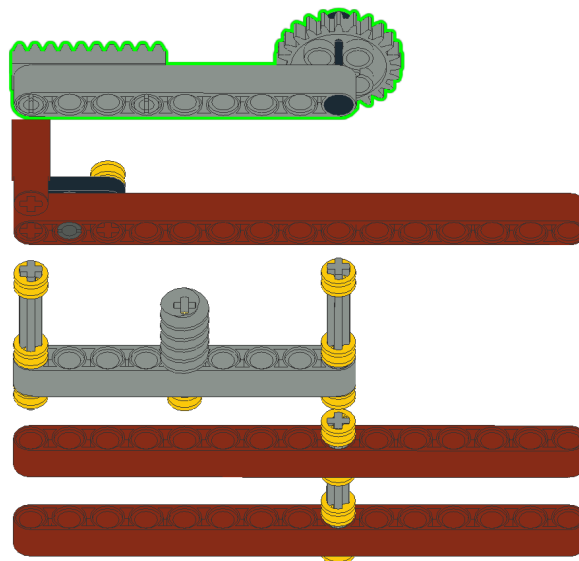
2



3

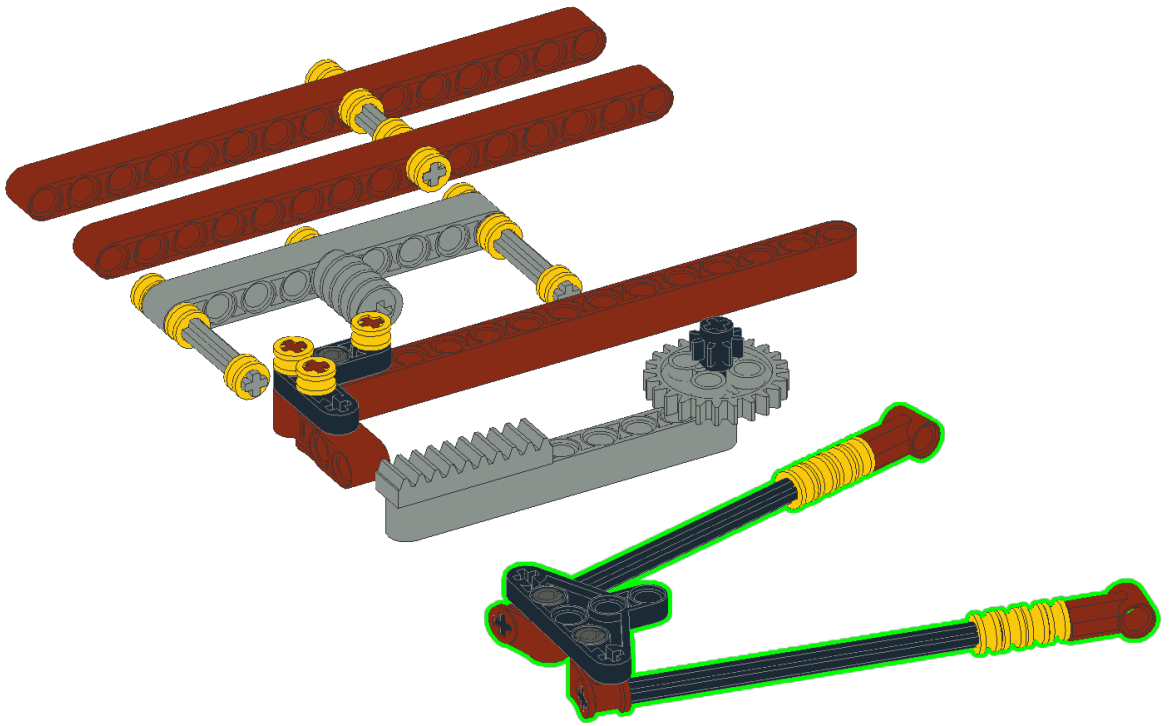
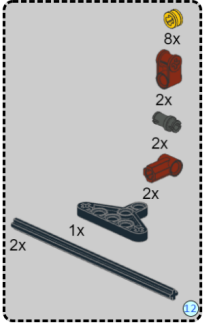


4





5



6

