

AERIAL PLATFORM

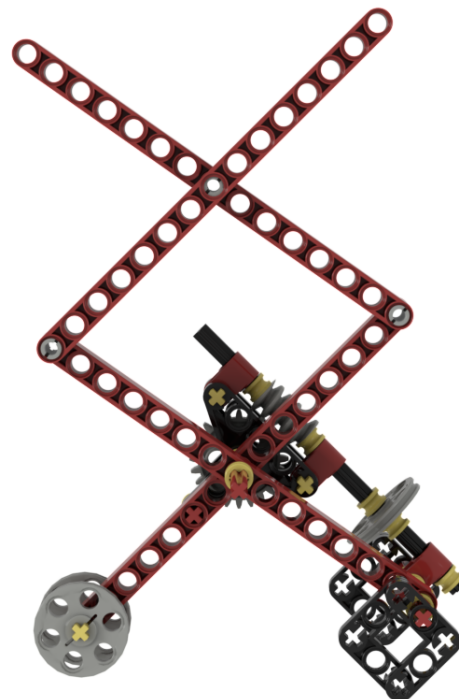


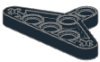



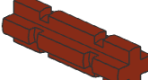




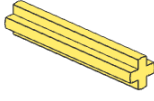
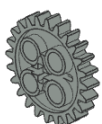

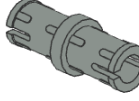
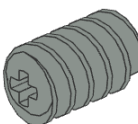
Principles :  

Level : ★★★

Steps : 7

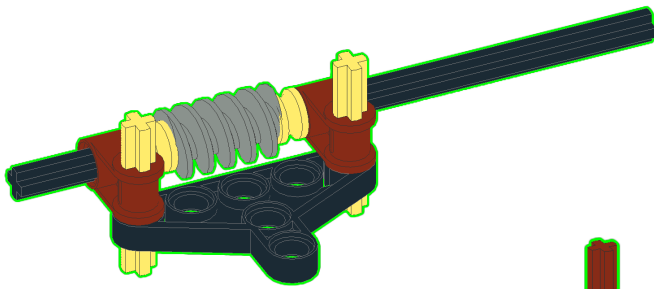
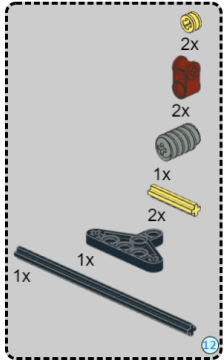
Bricks : 41



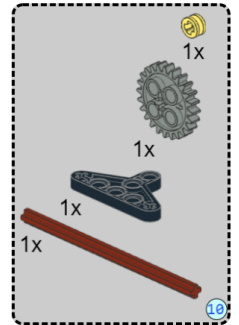
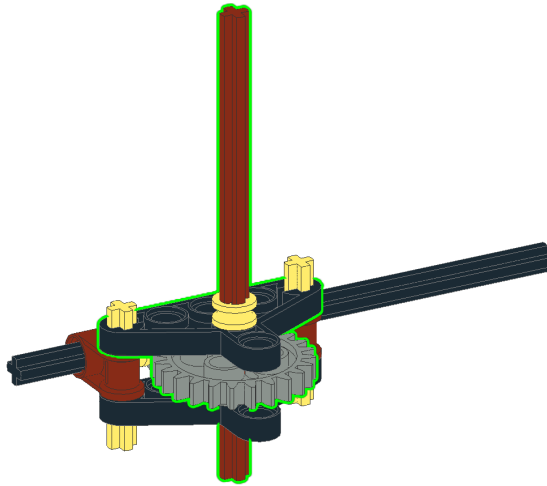
2 x 	4 x 	1 x 	1 x 	1 x 	4 x 	2 x 
3 x 	12 x 	3 x 	1 x 	3 x 	3 x 	1 x 



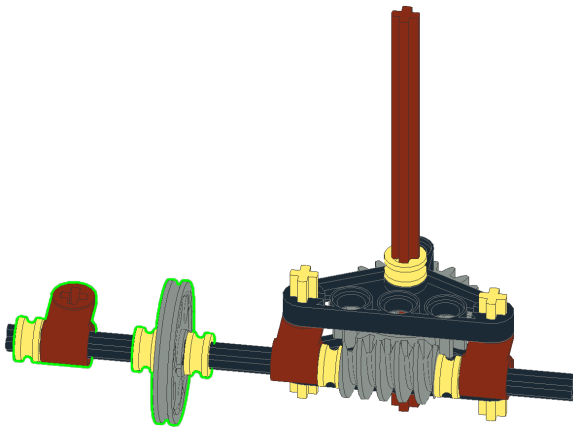
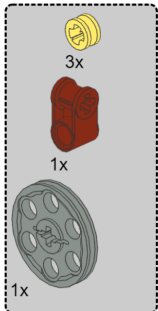
1



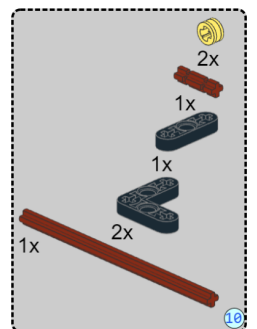
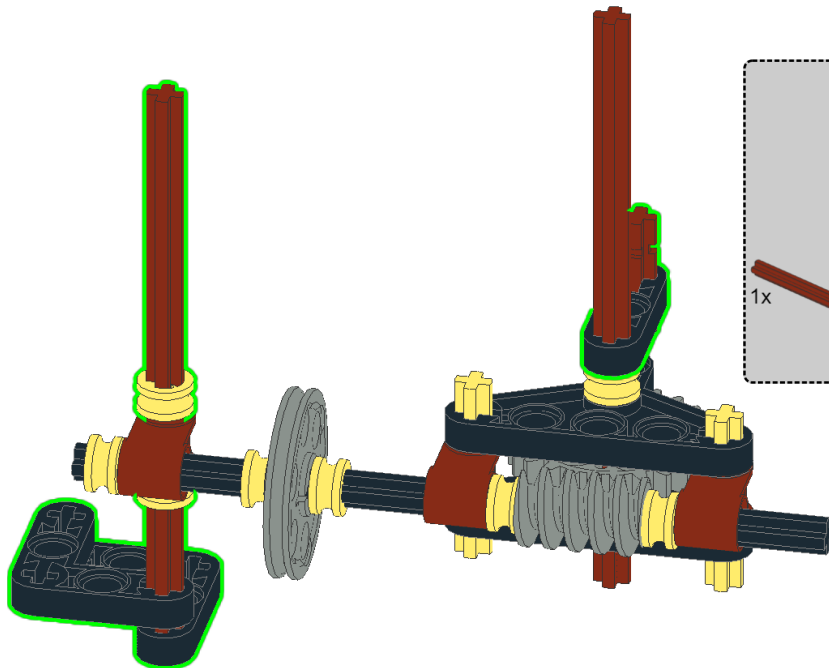
2



3

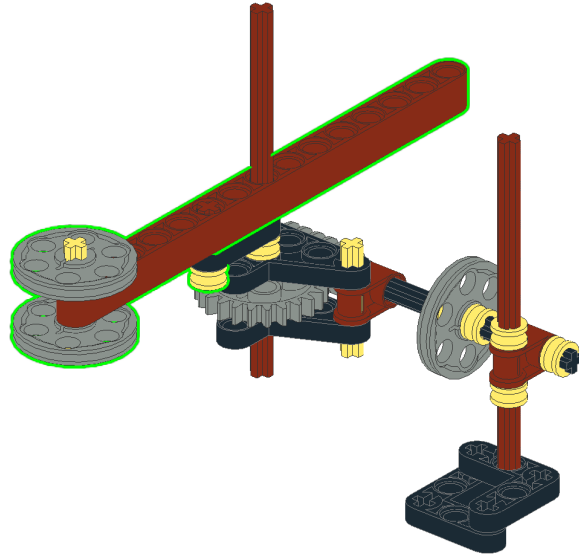
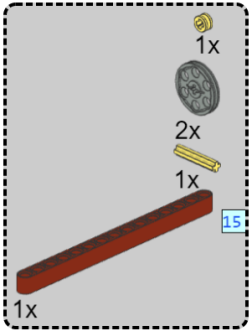


4

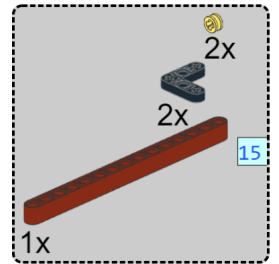
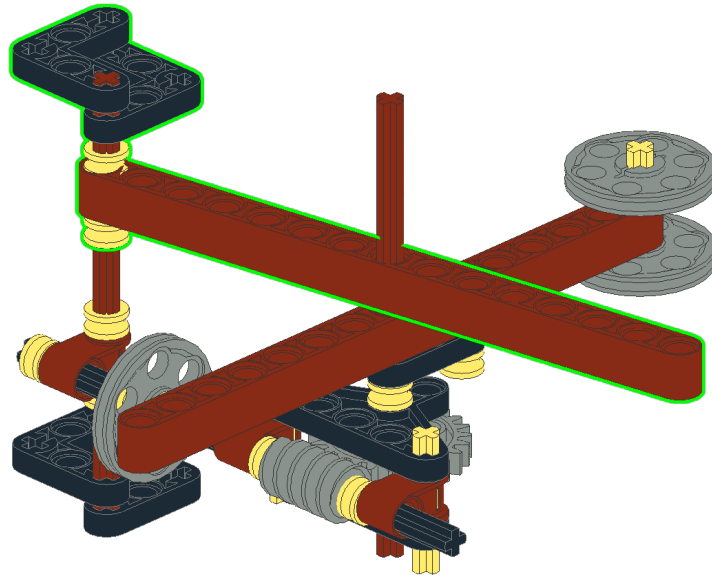




5



6



7

