

BIRD WITH MOVING WINGS

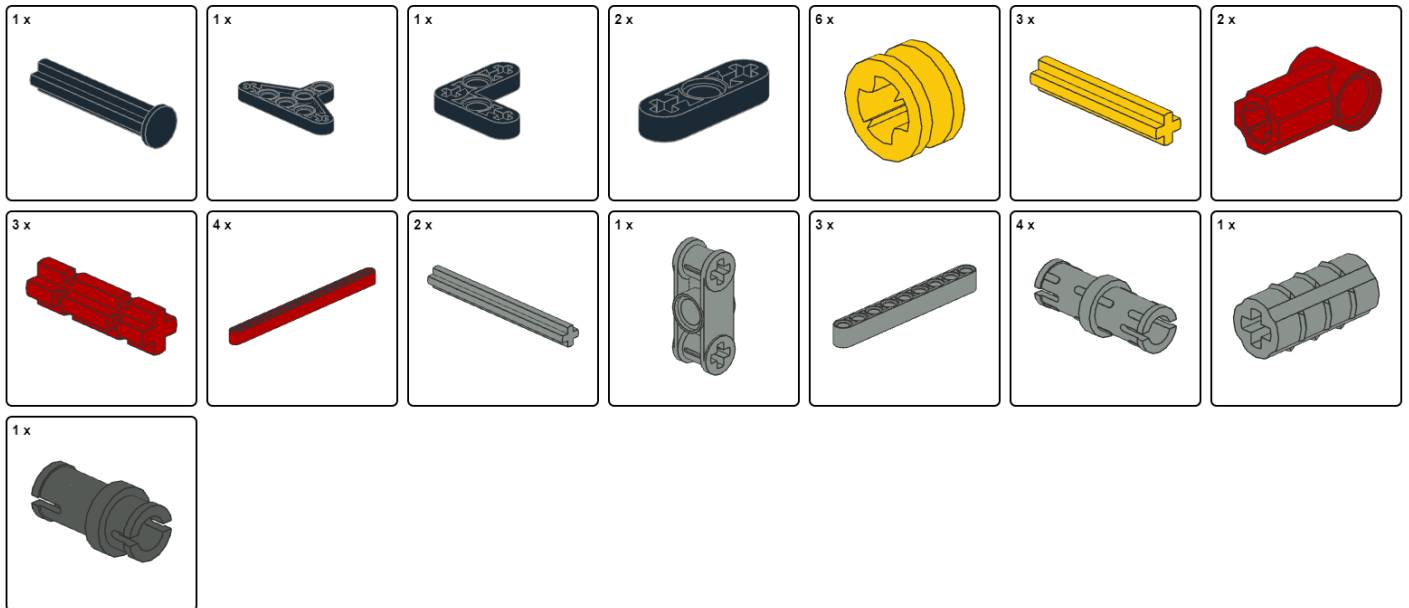
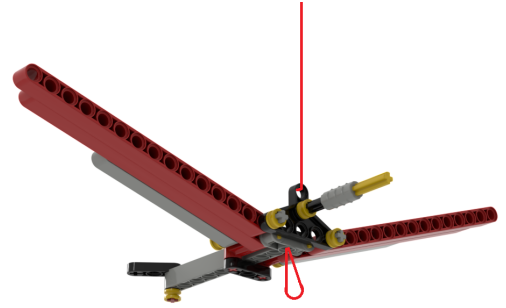


Principles :  

Level : ★★

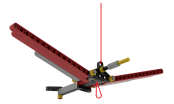
Steps : 5

Bricks : 35

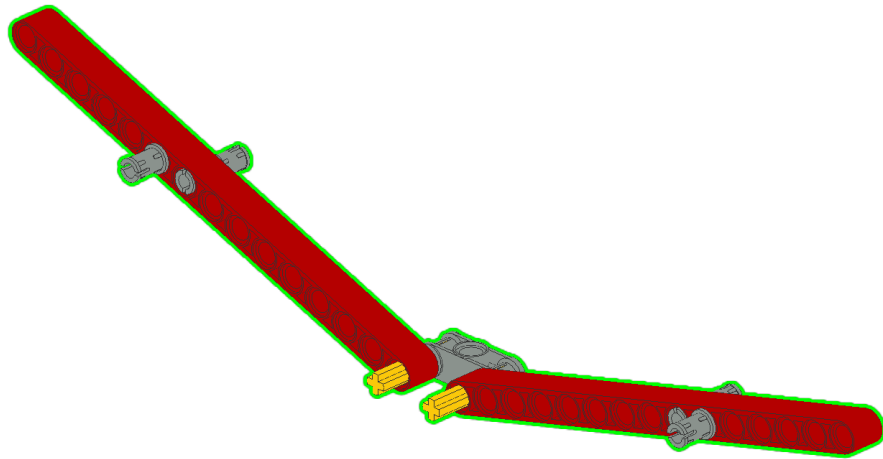
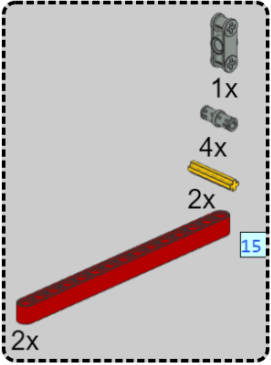




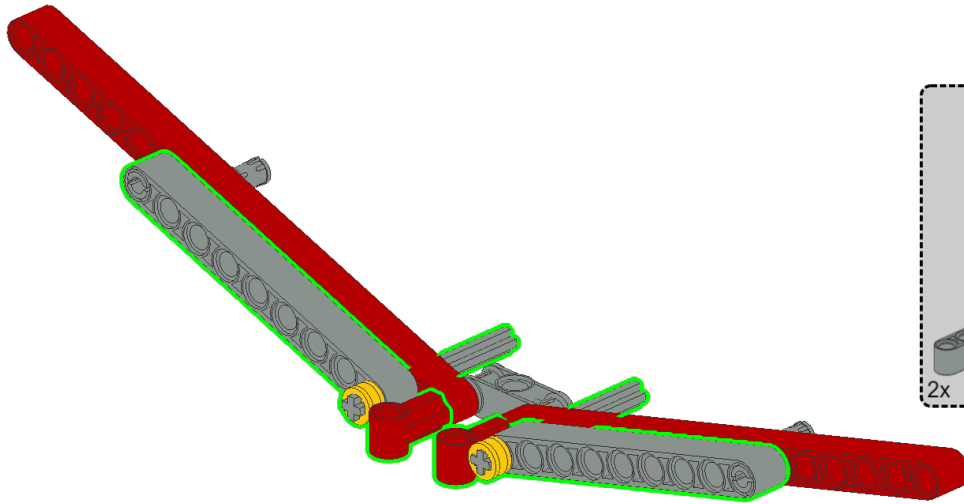
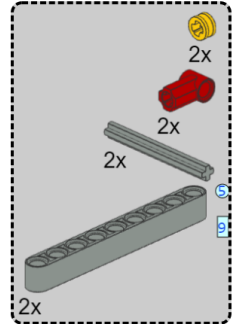
BIRD WITH MOVING WINGS ★★



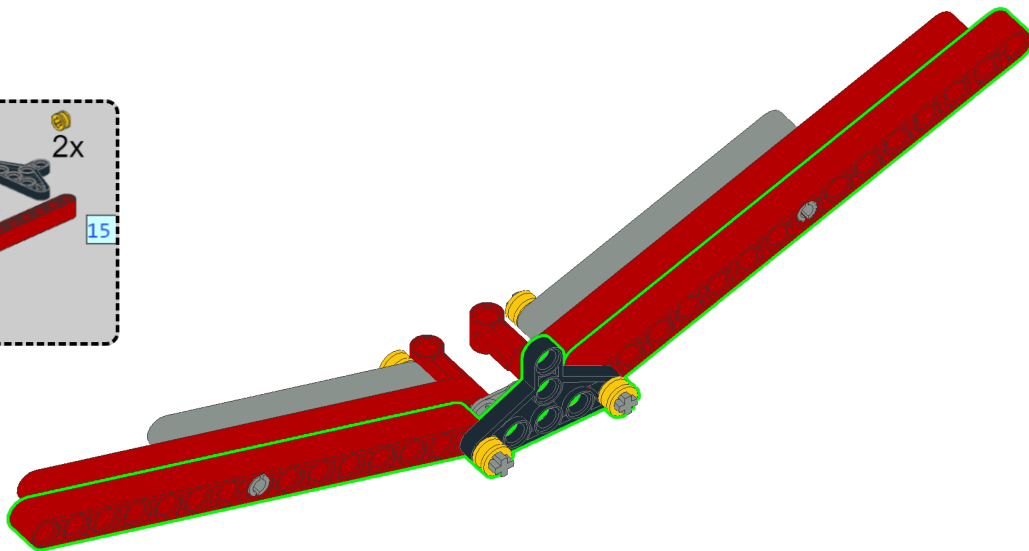
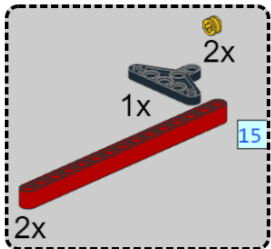
1



2

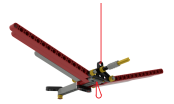


3

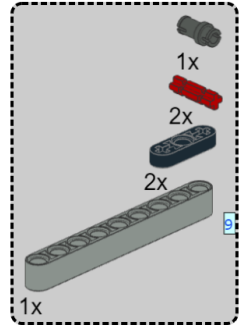
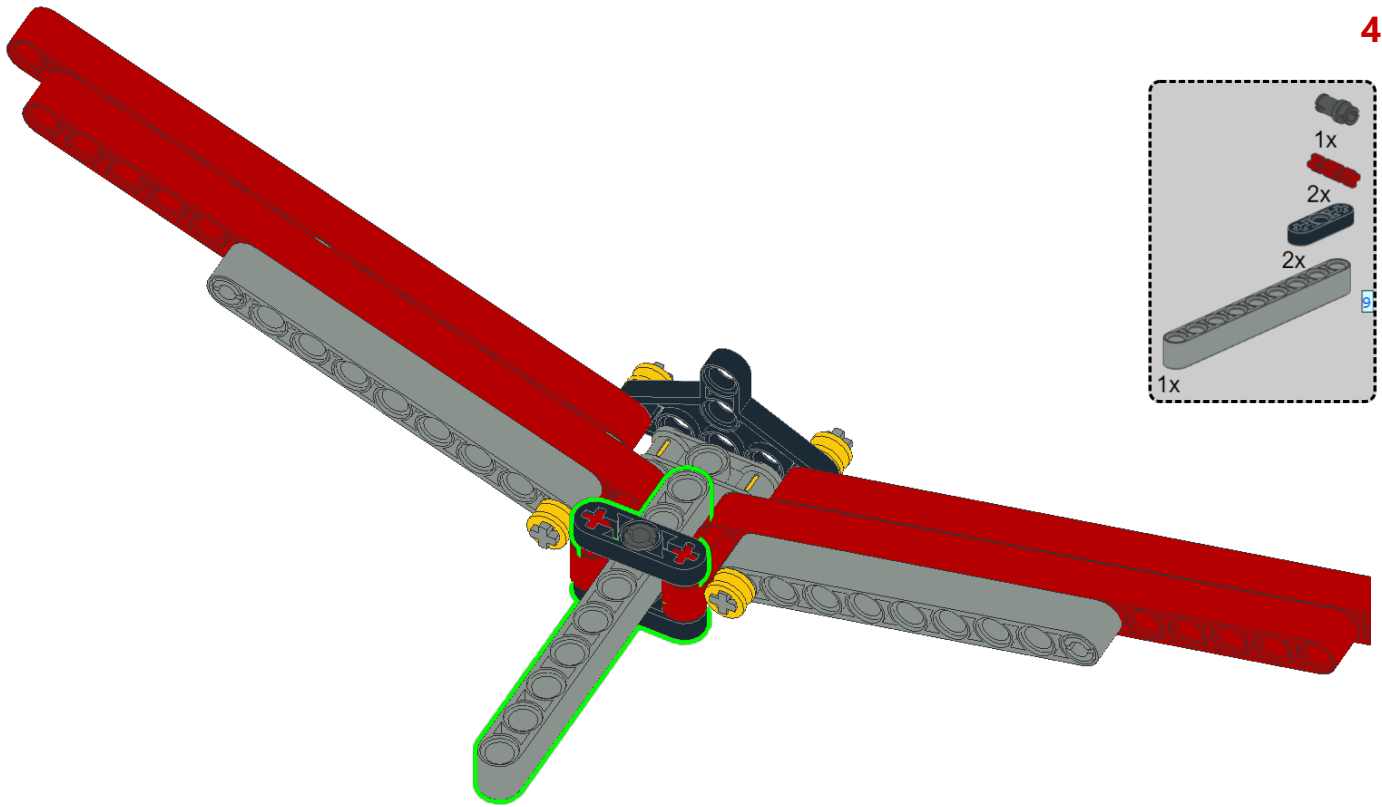




BIRD WITH MOVING WINGS ★★



4



5

